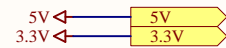
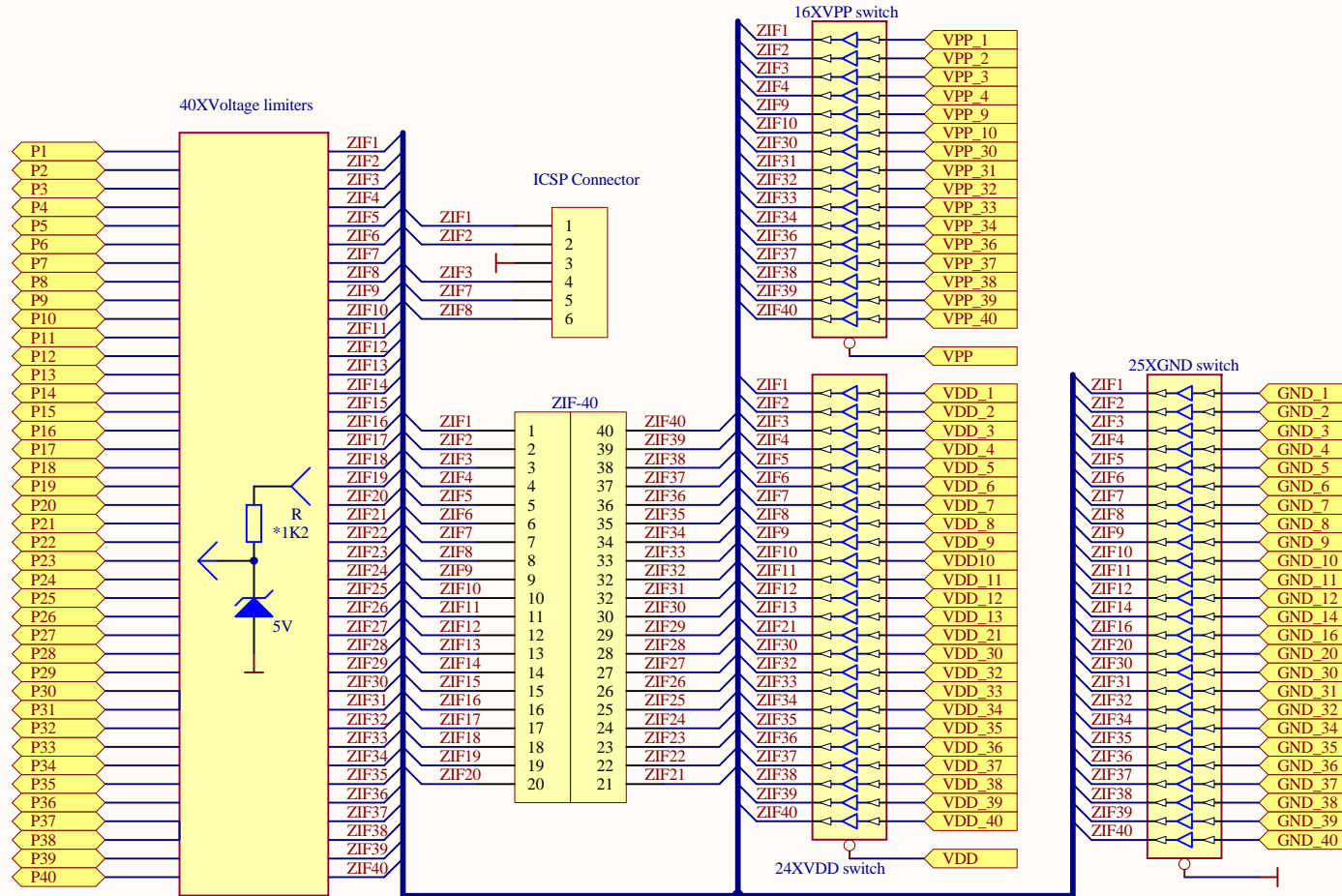
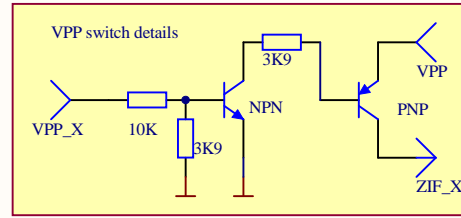
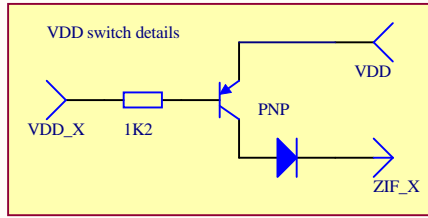
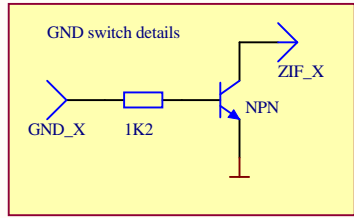


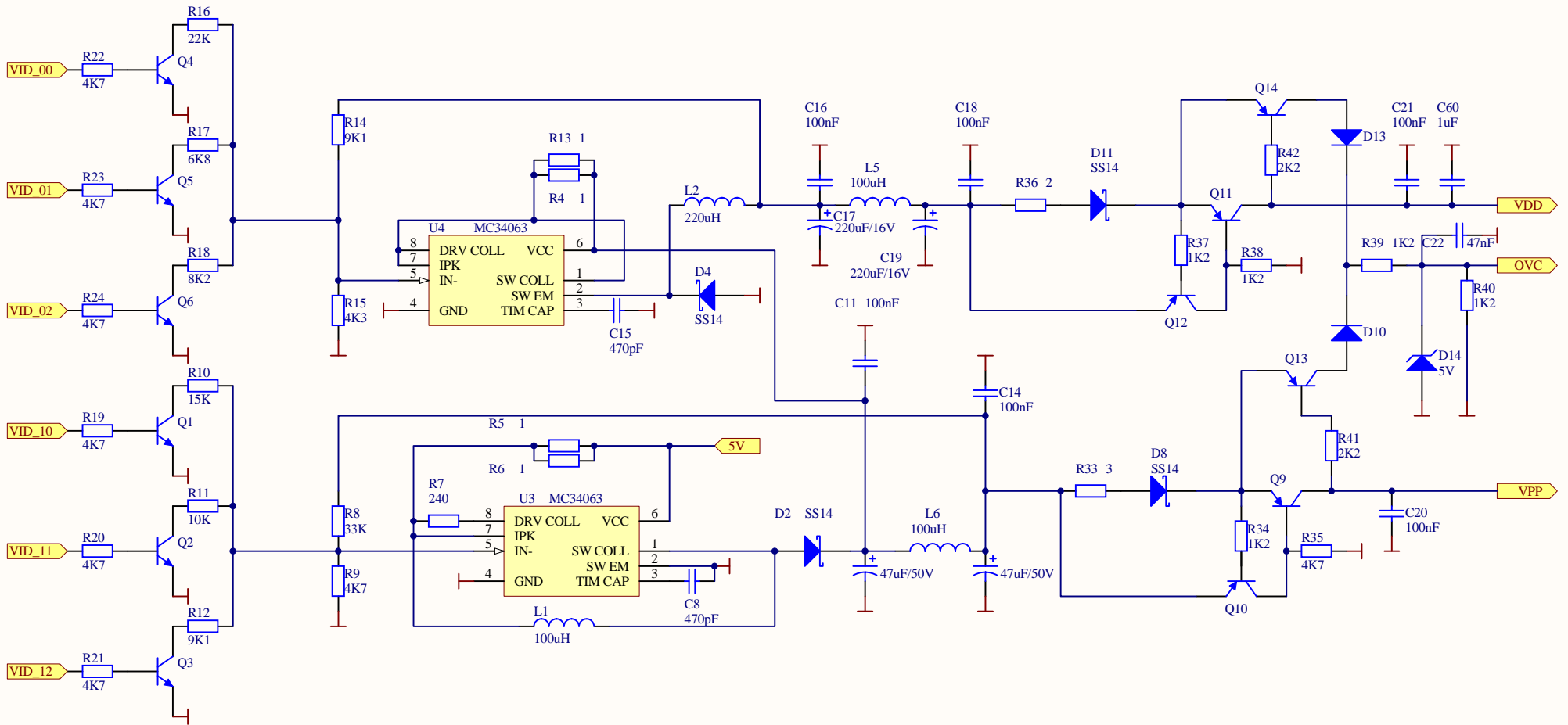
TL866-CPU





* For pin 28 R=50; pin 38&40 R=240

TL866-PIN DRIVERS



TL866-DC to DC converters